



Description

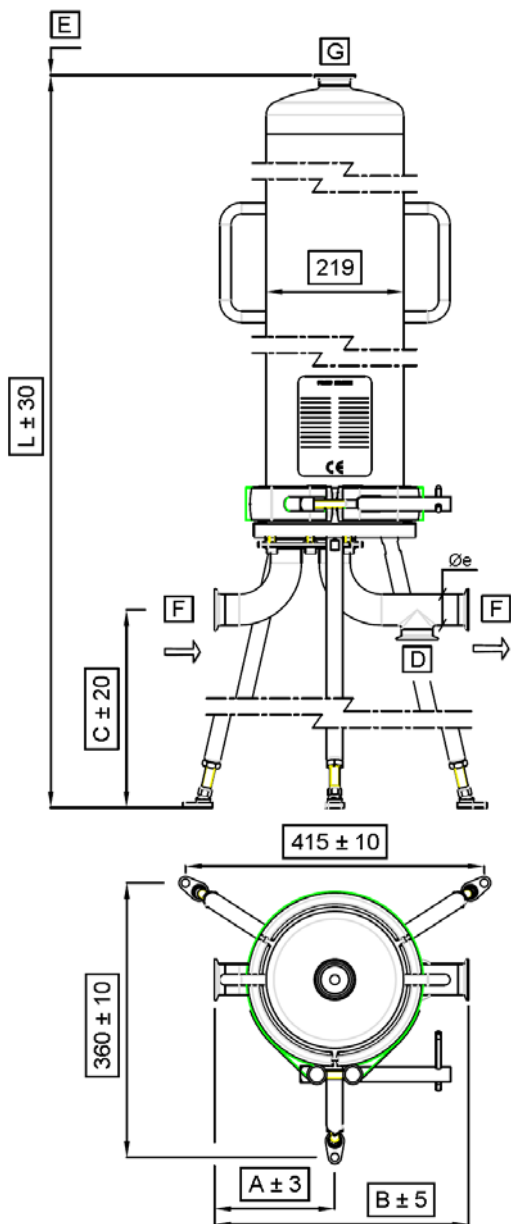
05 ROUND - FSH-Filter Housing-cod.7- outlet drain only

DRAWING

FSH 05NY

REV.

0



	Øe	A	B	C
DIN 11851 DN 40	38.1	187	375	370
CLAMP TC 1.5"	38.1	166	330	370
DIN 11851 DN 50	50.8	217	417	340
CLAMP TC 2.0"	50.8	195	373	340

TECHNICAL DATA

VESSEL RANGE	FSH - SANITARY
NO. CARTRIDGES	05 (cod. 7 - 226)
CERTIFICATION	Directive (PED) 97/23/CE
FLUID GROUP	1 - 2 (DANGEROUS AND NOT)
HAZARD CATEGORY	FIRST
TEST PRESSURE (PT)	14.5 bar
VESSEL MATERIAL	AISI 316L / 1.4404
SEAL BOWL	SILICONE FDA APPROVED
SEAL BENDS	PTFE FDA APPROVED
INTERNAL FINISHING	MECHANICAL POLISHING
INTERNAL ROUGHNESS	Ra<0.6 MICRON
EXTERNAL FINISHING	MECHANICAL POLISHING
VENT CONNECTION G	CLAMP 1.5"
DRAIN CONNECTION D	CLAMP 1.5"

WORKING CONDITIONS 97/23/CE			MAX PRESSURE bar			
FLUID GROUP	STATE	TEMP	051	052	053	054
DANGEROUS	LIQUID	0 - 40°C	10.0	10.0	10.0	10.0
DANGEROUS	LIQUID	150°C	7.5	7.5	7.5	7.5
DANGEROUS	GAS/VAPOR	150°C	4.5	2.4	1.7	1.3
NOT DANGER.	LIQUID	0 - 40°C	10.0	10.0	10.0	10.0
NOT DANGER.	LIQUID	150°C	7.5	7.5	7.5	7.5
NOT DANGER.	GAS/VAPOR	0 - 40°C	10.0	9.9	6.8	5.2
NOT DANGER.	GAS/VAPOR	150°C	7.5	7.5	6.8	5.2
INTEGRITY TEST			10.0	10.0	10.0	9.1

VESSEL TYPE	051	052	053	054
CARTRIDGES HEIGHT	10"	20"	30"	40"
L = mm	830	1080	1330	1580
E = mm	300	550	800	1050
TOTAL VESSEL VOLUME litres (V)	11.0	20.0	29.1	38.2
INTEGRITY TEST VOLUME litres (Vi)	6.0	11.2	16.6	21.7
BOWL WEIGHT kg	5	8	10	12
TOTAL NET WEIGHT kg	22	25	27	29
PACKAGING SIZE cm 52x38x	66	91	116	140
TOTAL WEIGHT PACKED kg	25	28	30	32

Ordering Information

Range	N° Cartridges	Element Length	Inlet / Outlet Connections	Inlet / Outlet Size	Inlet Drain	Outlet Drain	Special Options
FSH	05	30	D	50	N	Y	/

10 = 10" (250mm)
 20 = 20" (500mm)
 30 = 30" (750mm)
 40 = 40" (1000mm)

D = DIN 11851 (male part)
 C = CLAMP TC (ISO 2852)

40 = DIN 40
 50 = DIN 50
 15 = 1.5"
 20 = 2.0"