

MEDICAL VACUUM FILTERS

Leaflet F-20-01-UK

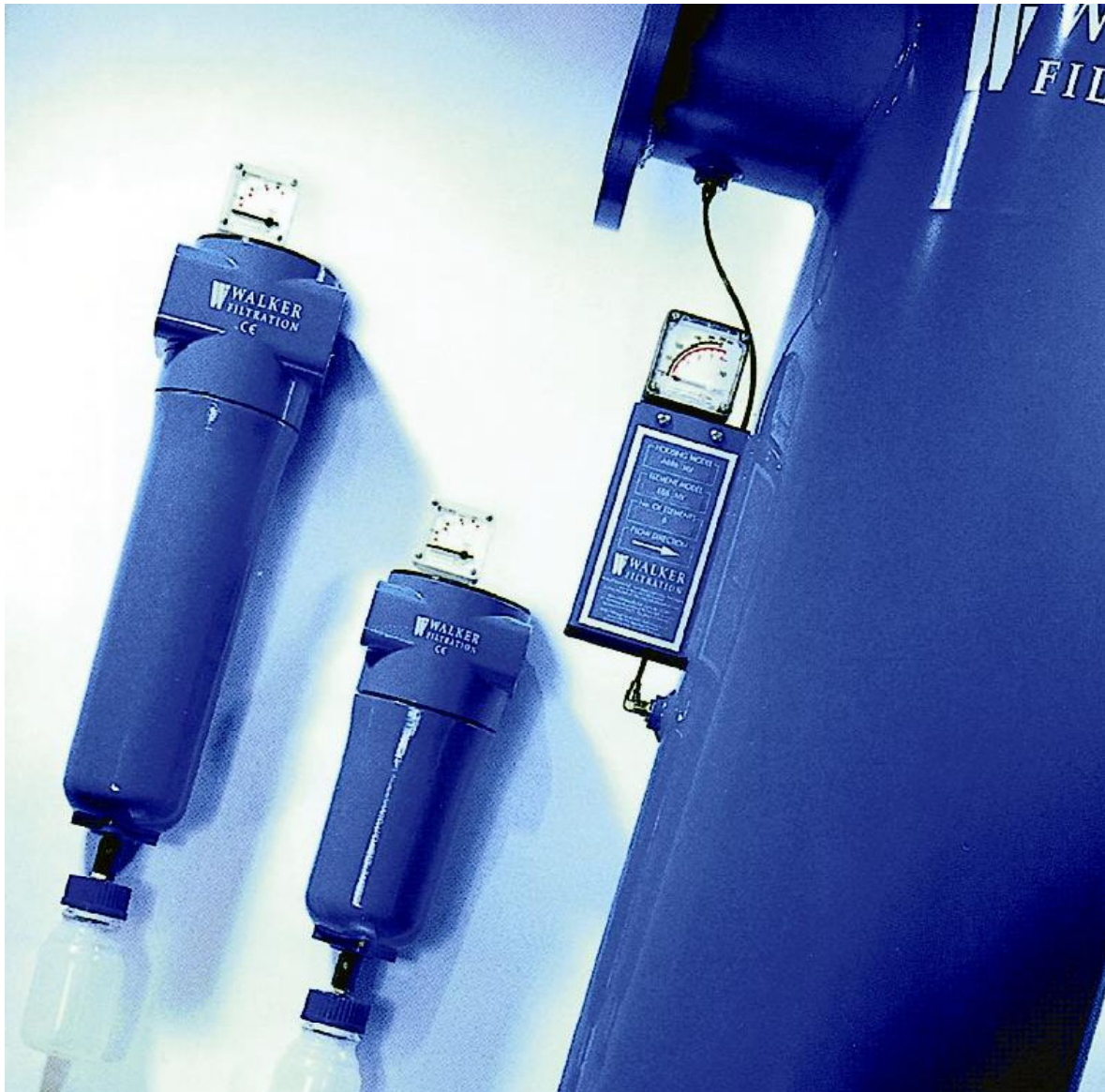


FLUXA

**Fluxa
Filtri
S.p.A.**

V.le A. De Gasperi, 88/B-20017 Mazzo di Rho (MI)
Tel. 0293959.1 (15 lines)
Fax 0293959.400-440-470
e-mail: info@fluxafiltri.com - www.fluxafiltri.com

Agent for South Italy:
Sire srl - Via Sannio, 9 - 80146 Napoli
Tel. 0817349254 - 0817349310
Fax 0817349317



Medical Vacuum Filters

Walker Filtration design and manufacture in the UK a comprehensive range of medical vacuum filters for centralised hospital vacuum plant installations as specified in the UK standard HTM2022.

The Walker Filtration range of medical vacuum filters are designed to protect these installations from liquid, solid and bacterial contamination. Liquids are collected in a transparent drain flask which can be easily removed for sterilisation.

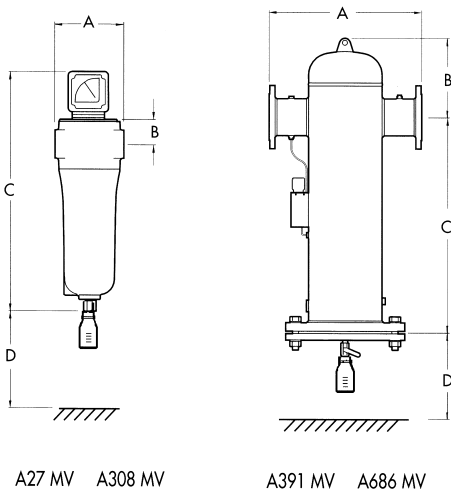
Models A27-A308 incorporate the unique Walker Filtration designed 'push-on' filter element. This reduces maintenance time and allows the filter to be located in the most confined spaces. The MV grade filter elements incorporate a pre-filter and low pressure loss filter to remove solid and bacterial contamination. They use high efficiency borosilicate glass microfibre media to remove all dirt particles. All elements include stainless steel metalwork and are fitted with an external pre-filter layer of 80p.p.i., open cell reticulated polyester foam.

These filters are a proven success and now include such features as differential pressure indicators which are a specific requirement of the HTM2022 medical gas pipeline specification.

TECHNICAL DATA

MEDICAL VACUUM FILTERS

Filter Model	Pipe Size	Free air capacity at Atmospheric pressure			Rarefied air capacity At 500 mm Hg Vacuum			Element Model	Number Of elements	Dimensions mm				Weight		Dimensions inch			
		L/min	SCFM	Nm ³ /h	L/min	SCFM	Nm ³ /h			A	B	C	D	kg	lb	A	B	C	D
A27 MV	¼	30	1	1.8	90	3	4.2	E511 MV	1	88	32	315	100	1.0	2.2	3½	2	13	4
A39 MV	⅜	100	3.5	6	300	10.5	18	E511 MV	1	88	32	315	100	1.3	2.9	3½	2	13	4
A56 MV	½	200	7	12	600	21	36	E521 MV	1	88	32	315	100	1.5	3.3	3½	2	15	4
A70 MV	¾	250	9	15	750	27	45	E521 MV	1	88	32	365	100	1.5	3.3	3½	2	15	4
A105 MV	1	600	21	36	1800	63	108	E811 MV	1	125	39	365	100	2.7	6.0	5	2	15	4
A126 MV	1¼	1200	42	72	3600	126	216	E821 MV	1	125	39	565	150	3.5	7.7	5	2	21	6
A153 MV	1½	2000	70	120	6000	210	360	E831 MV	1	135	50	545	200	4.4	9.7	5½	2	22	8
A205 MV	2	3000	106	180	9000	318	540	E851 MV	1	135	50	745	200	5.0	11.0	5½	2	30	8
A306 MV	3	4000	141	240	12000	423	720	E1261 MV	1	200	68	925	200	15.5	34.2	7½	3	37	8
A308 MV	3	5000	177	300	15000	531	900	E1281 MV	1	230	65	1050	300	19	41.9	9	3	42	12
A391 MV	DN 80	5500	194	330	16500	582	990	E139 MV	1	450	300	940	700	58	128	17¾	12	37	28
A483 MV	DN 100	6765	238	406	20295	714	1218	E88 MV	3	520	300	960	700	74	163	20½	12	38	28
A484 MV	DN 100	8200	289	492	24600	867	1476	E88 MV	4	520	300	960	700	74	163	20½	12	38	28
A686 MV	DN 150	11000	388	660	33000	1164	1980	E88 MV	6	680	400	1000	700	165	364	26¾	16	40	28



Specification	Grade MV	
Penetration to BS 3928	<0.0001%	
Maximum temperature	100°C	212°F
Pressure loss – clean	35 mbar	0.5 psi
Pressure loss – change element	100 mbar	1.5 psi
Maximum working pressure	7 barg (see note 10)	100 psig (see note 10)
Maximum working vacuum	1013 mbar	15 psi
Element end cap colour	black	

NOTES

1. Threaded medical vacuum filters are manufactured from aluminium.
2. Threaded connections are BSP parallel to ISO7/1 or NPT to ANSI B2.1 if supplied writhing North America.
3. Filter element end caps are colour coded black. Direction of air flow, outside to through filter element.
4. Mounting brackets are available for models A27 MV to A308 MV.
5. All aluminium medical vacuum bodies are electrophoretically painted and then coated with blue polyester powder paint finish to eliminate corrosion.
6. Flanged medical vacuum filters are fabricated from carbon steel.
7. Flanged medical vacuum filters are designed and manufactured in accordance with BS EN286 and carry the CE mark.
8. Flanged connections complete with mating flange to BS 4504 PN16.
9. All flanged medical vacuum bodies are coated inside and out with blue polyester powder paint finish to eliminate corrosion.
10. Manual drain valves are fitted to all models. Sterilisable glass drain flasks are supplied as standard, 100 ml for models A27 to A70 and 250 ml for A105 to A686.
11. Differential pressure gauge, 55DPG250W is fitted to models A27 to A308, 65DPG250W is fitted to models A391 to A686.
12. Flow rates shown adobe are at free air conditions when operating 500 mm hg.
13. WARNING-Pressure for test purposes MUST only be applied with drain valve CLOSED and drain flask REMOVED.

